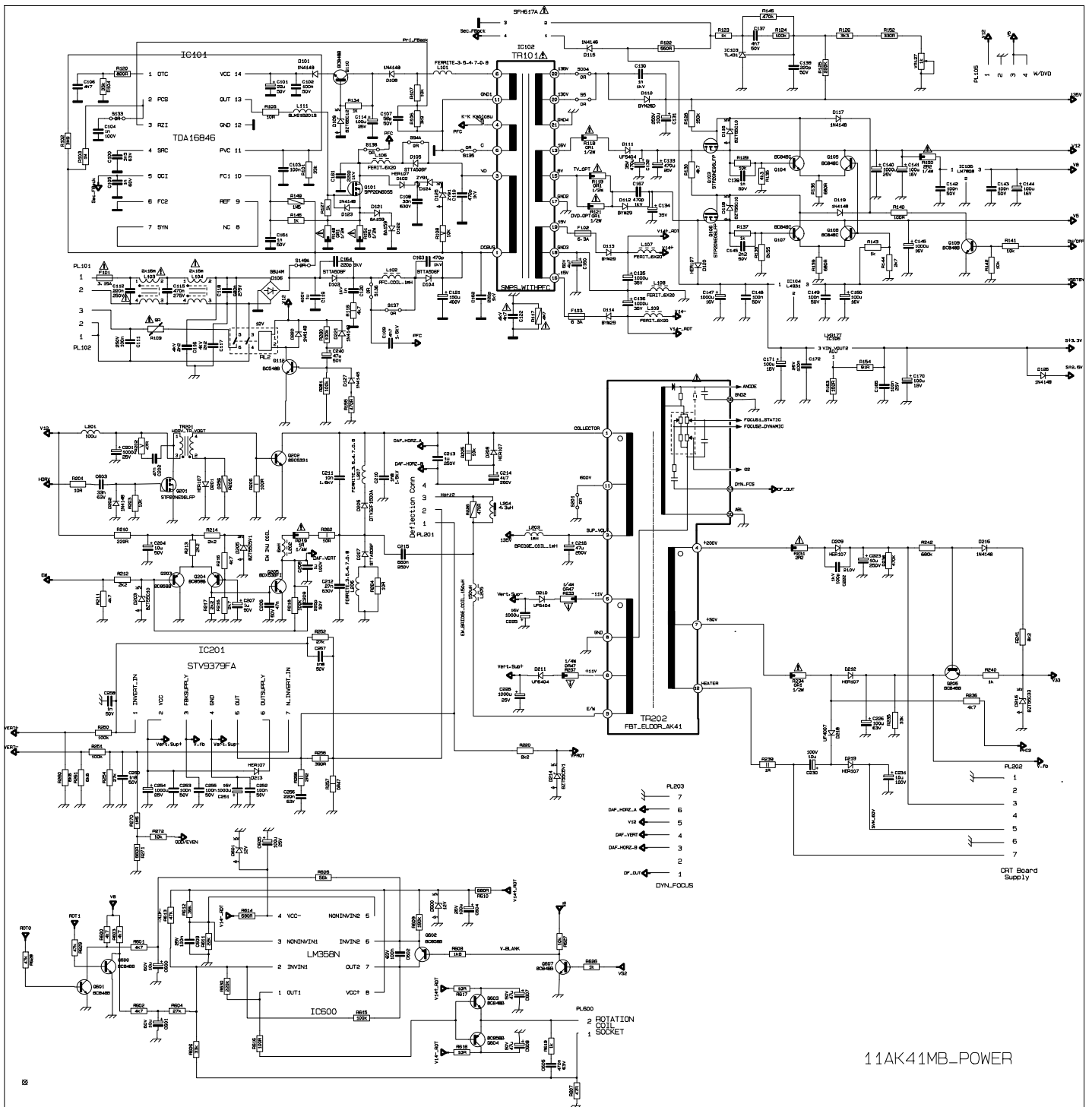
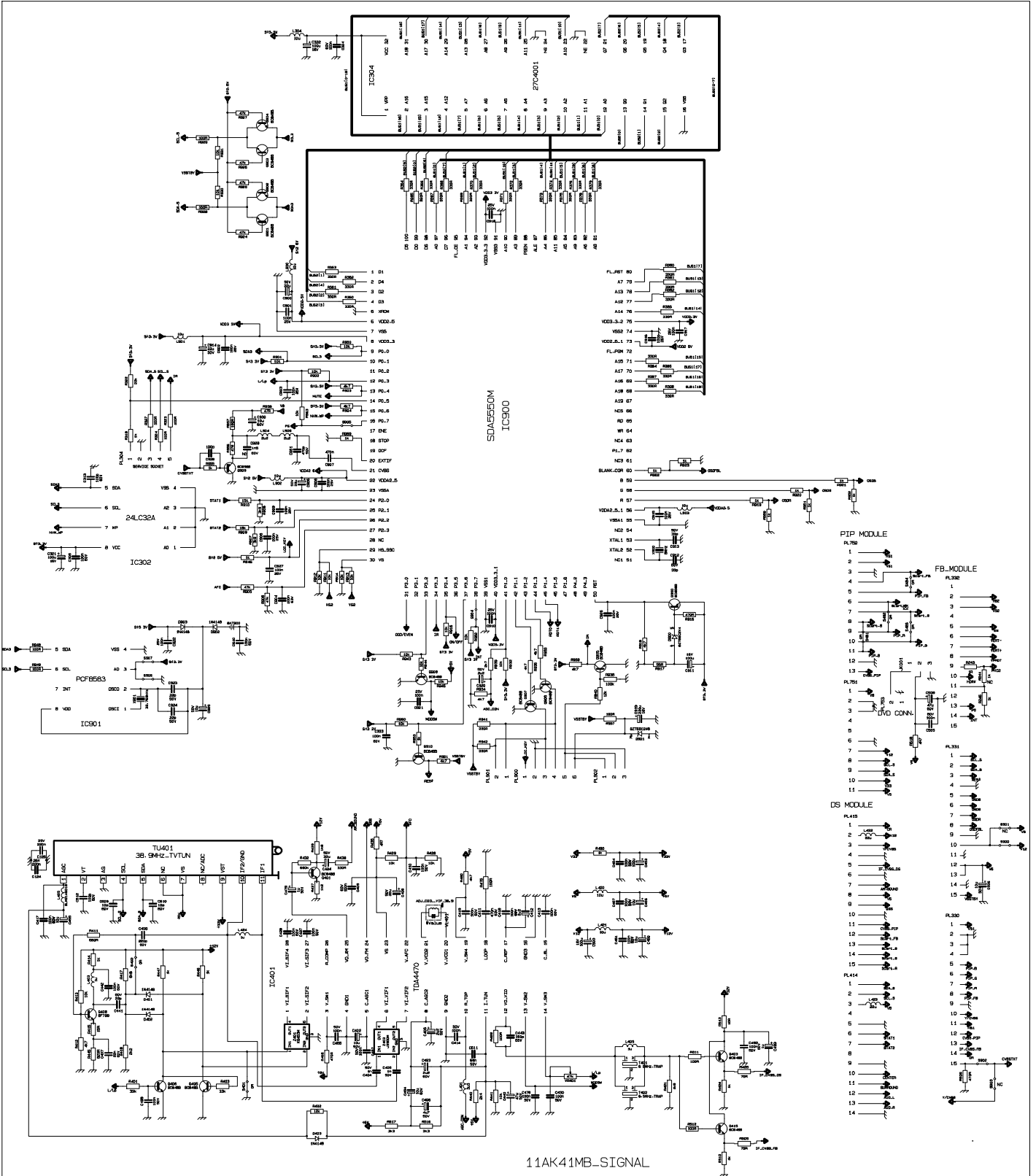


11AK41MB-SIGNAL



11AK41MB_POWER



11AK41MB-SIGNAL